



SPIDER 54T

SELF-PROPELLED TRACKED PLATFORM

PL  **TFORM**
B A S K E T





SPIDER 54T / **SELF-PROPELLED TRACKED PLATFORM**

Innovative self-propelled aerial platform with extendable tracks and simple, intuitive controls.

It can reach an operating height of 54 m

A mix of efficiency, reliability and versatility that once again proves our commitment to providing high-tech solutions, developed with utmost attention to detail.

SPIDER 54T is a concentrate of technology; its potential allows it to be the ideal solution for large projects and 'logistical' challenges requiring a higher vertical load-bearing capacity.

Its distinctive feature is its working height, which places it at the top of the industry. Thanks to Platform Basket's experience and design and construction expertise, operators can now reach places that are not usually accessible, opening up new perspectives in areas such as construction, infrastructure maintenance, telecommunications and industry.



Strength points:

- Automatic stabilisation/destabilisation
- 4 independent stabilisers
- Triple stabilisation area
- Positioning precision
- Expandable tracker with double travel speed
- Single beam steel frame S700
- High working height with 7-stage telescopic system made of high-strength steel
- Telescopic JIB with 3 hydraulic extensions
- Radio-controlled control system
- Aluminium basket (4 persons, 400 kg)

PLATFORM BASKET

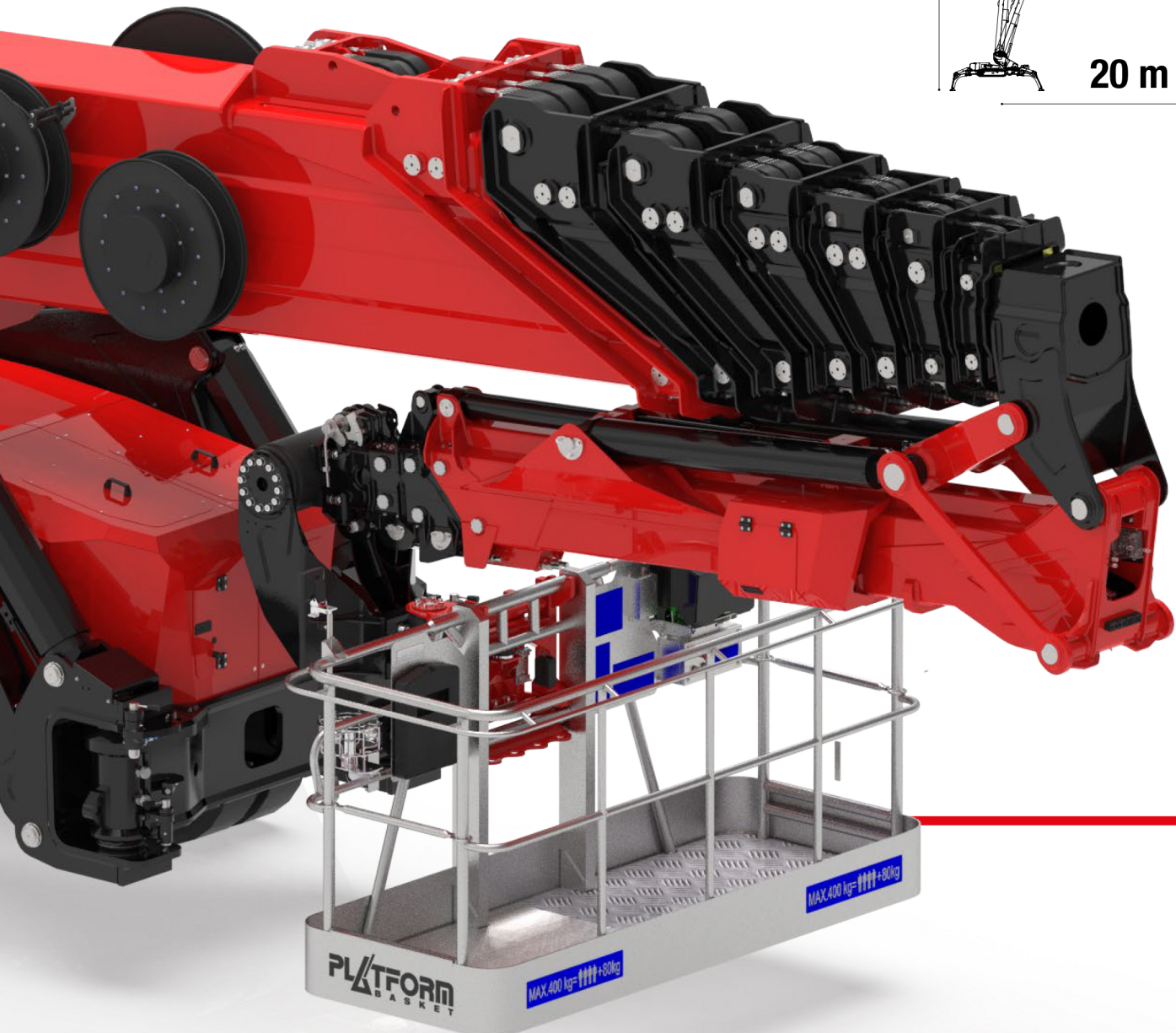
The platform is equipped with a telescopic jib with three hydraulic extensions, which allows a horizontal reach of 18.5 m at a height of 45 m and with 400 kg in the basket (the maximum value is 20 m with 136 kg capacity).

The working height, together with the triple stabilisation area, offers a versatile solution for large projects and contexts with highly variable placement conditions.

54 m

20 m

Paramount
Access Platforms





SPIDER 54T / SELF-PROPELLED TRACKED PLATFORM

Performance without compromise

Diagnostics and monitoring.

Platform Basket has always invested heavily in the improvement of remote diagnostics and monitoring systems, with the aim of creating an advantage even for users who had hitherto avoided the use of these systems, but who, with technological advancement, increasingly need support and the possibility of analysing the use of their vehicles.

The optional PBT (Platform Basket Telematics) device is the result of this development and consists of a hardware part connected to the machine, containing an integrated international data SIM card that sends all the vehicle's essential data to the cloud: geolocation on

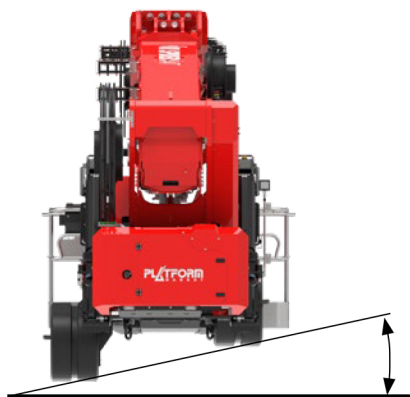


the globe, working hours and their breakdown, load cell data and active or past alarms, and a software part that can be consulted from a dedicated web portal, with protected access, which allows viewing the data saved in the cloud. Even if there is no data coverage, these are saved on a built-in memory card to be sent when the signal is restored. In order to make the system more user-friendly, the web platform can be consulted from fixed PCs or mobile devices.

The most important purposes of use are diagnostics and assistance, man/machine communication and monitoring of vehicle use.

Stability on inclined planes.

A key feature of this machine is that it is able to reach places normally inaccessible to conventional vehicles, thanks both to the advanced stabilisation system and to the robust frame structure and large tracked undercarriage; all of which allows Spider 54T to tackle even the roughest terrain.



Radio controlled.

A sophisticated system that offers flexibility and safe handling for operators. It allows the platform to be controlled remotely, providing greater freedom of movement and a better view of the work area.

The colour display with anti-glare technology ensures a clear and sharp view of vital information, even in direct sunlight. In addition, a second radio control is available in the basket workstation, which can also be used as a remote control, guaranteeing the same diagnostic functions via display.



Simplified transport.

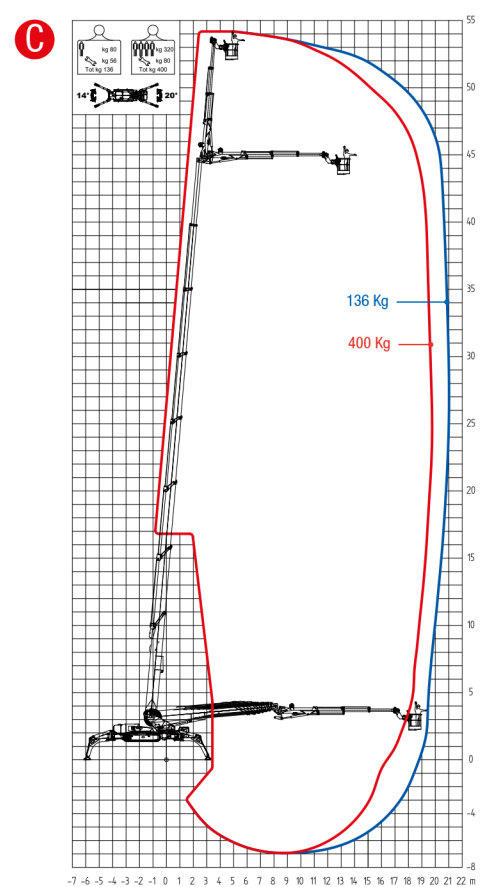
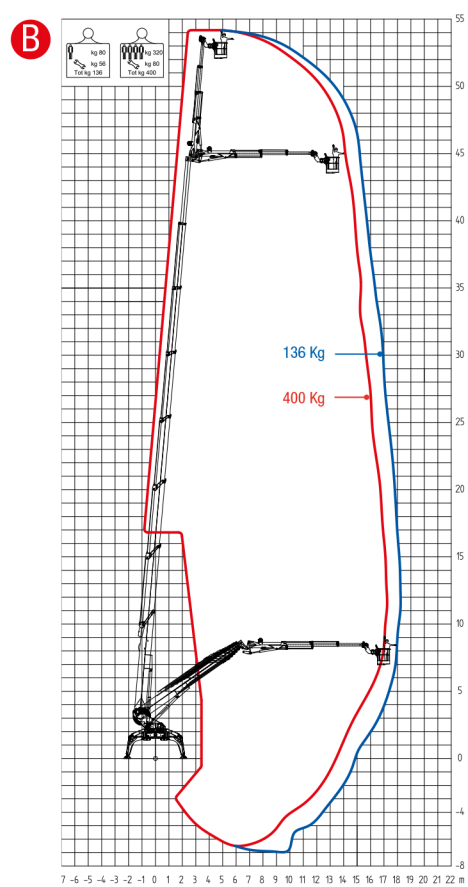
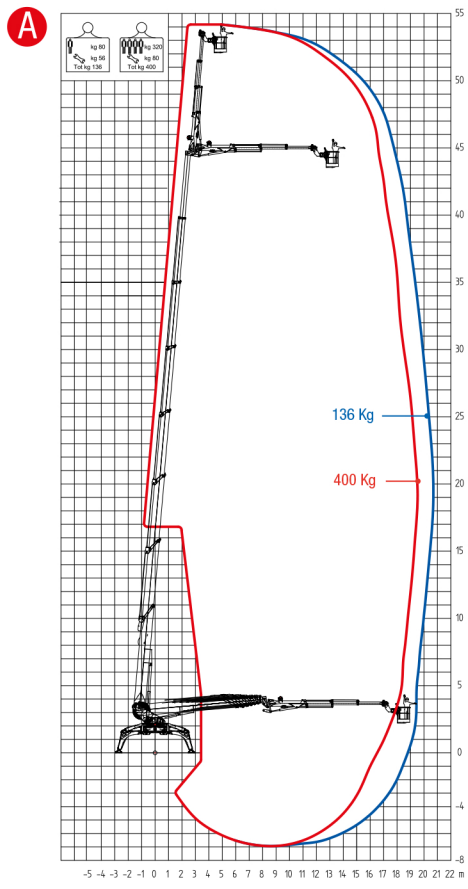


There are two possibilities for loading Spider 54T onto the trailer for transport to the workplace:

1. the trailer in reverse is positioned underneath the Spider 54T with the stabilisers raised
2. the Spider 54T, thanks to its mobility on tracks, is positioned independently on the trailer.



SPIDER 54T / SELF-PROPELLED TRACKED PLATFORM





Stabilisation footprint

Measurements from centre stabiliser feet



Overall dimensions



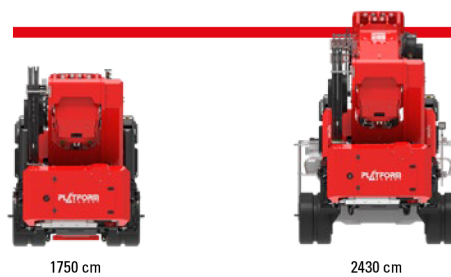
SPECIFICATIONS		STD
Max working height	m	54,1
Max platform height	m	52,2
Maximum lateral reach with load in basket 136 kg	m	21,0
Turret rotation	°	360
Basket rotation angle	°	+/- 90
Platform capacity	Kg	400
Max slope	°	20
Max. side slope with narrow/wide carriage	m	12 / 15
Maximum travel speed	Km/h	2,2
Proportional electrohydraulic controls	-	•
Nominal track dimensions	cm	450 x 78 x 81
Maximum permissible wind speed during work	m/sec.	12,5
Maximum permissible manual stress	N	400
Max. permissible inclination on outriggers for AWP working consent	°	+ / - 1

DIMENSIONS		STD
Machine length folded with basket	m	9,55
Machine length folded without basket	m	9,55
Machine width folded with basket	m	2,43
Machine width folded without basket, tracks retracted	m	1,75
Machine height folded with carriage extended	m	2,77
Minimum closed machine height with retracted carriage	m	2,45
Undercarriage height (with undercarriage extended)	m	0,42
Aluminium basket size (L x W)	m	2,3 x 0,91

TANK CAPACITY		STD
Hydraulic oil tank	lt	210
Fuel tank	lt	100

PESI		STD
Total weight basic version	Kg	23000
Ground pressure when on stabilizers	kN	167

MOTOR SPECIFICATIONS		STD
Net input power	kW	53
Technical data	V	12
Battery capacity	Ah	150

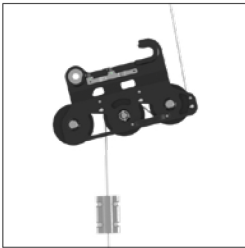


SPIDER 54T / SELF-PROPELLED TRACKED PLATFORM

Optional Accessories:

The industrial environment requires platforms that operate in a variety of conditions, so we have optimised a number of specific solutions to meet specific customer needs. In addition, our technical department is available for the study and realisation of further accessories and customisation, according to the customer's needs and expectations.

- Deadman foot pedal
- Generator 230 V
- Antintrapment device



Winch 1000 Kg



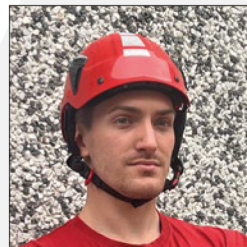
Wind speed control device, with alarm.



Anti-collision device in conductive rubber applied to the aerial basket.



INTERCOM device for man-on-the-ground communication with personnel in aerial basket.



Helmet with INTERPHONE device for man-to-ground communication with personnel in an airship.



PBT (Platform Basket Telematics)

PLATFORM BASKET



Via Montessori, 1 - 42028 Poviglio (RE) Italy
Ph. +39 0522 967666 - Fax +39 0522 967667
E-mail: info@platformbasket.com

platformbasket.com

